

INTRA-AUTOMATION

MESS- UND REGELINSTRUMENTE / MEASUREMENT AND CONTROL



TÜV Rheinland®
CERT
ISO 9001

Digital Panel Meter IntraDigit Series IA-N20



Technical Information

02/2011



Accessories

THE EXPERT IN LEVEL AND FLOW

Intra-Automation
Technical Information
02/2011

Technical details subject to be changed without notice.

For comments regarding this brochure, please contact:
info@intra-automation.de

IA-N20 IntraDigit Digital Panel Meter

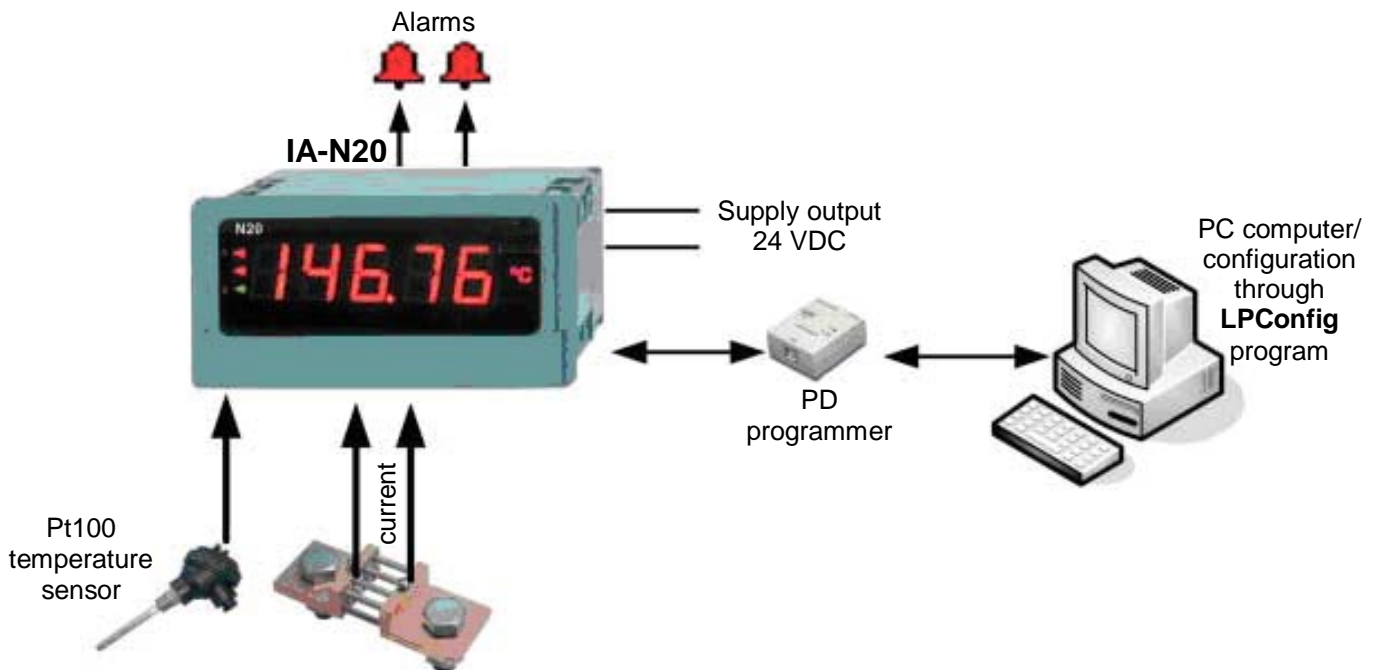
List of Contents:

Chapt.	Title	Page
1	Features	3
2	Application Example	3
3	Technical details	4
4	Electrical Connection	4
5	Ordering code	5

1 Features

- ◆ Measurement of voltage or DC current and temperature (Pt100, J, K)
- ◆ Three-colour LED display (5 digits, 14 mm high)
- ◆ 2 alarm outputs of OC type
- ◆ Galvanic separation between the supply, measuring inputs and the programmer input
- ◆ Programmable parameters through the PD14 programmer
 - recounting of indications (individual characteristic)
 - two alarms of OC type operating in 6 working models
 - display colour programmable in three intervals
 - thresholds of displayed overflows
 - highlight of the unit
 - automatic or manual compensation: temperature of cold ends (for J, K) or wire resistance (for Pt100)
 - measurement averaging time
- ◆ Supply of object transducers

2 Application example



Measurement and signalling of temperature overflows or DC current

3 Technical details

Inputs			
Kind of input	Measuring range	Parameters	Basic error
Voltage input	-11...-10...10...66 mV -1...0...10...11 V -11...-10...10...11 V	Input resistance: > 1 M Ω	\pm (0,2 % of range + 1 digit)
Current input	-1...0...20...22 mA 3,6...4...20...22 mA -22...-20...20...22 mA	Input resistance: 10 Ω \pm 1 % Input resistance: 10 Ω \pm 1 % Input resistance: 5 Ω \pm 1 %	
Temperature (Pt100)	-50...400 $^{\circ}$ C		
Temperature (thermocouple J)	-50...1200 $^{\circ}$ C		
Temperature (thermocouple K)	-50...1370 $^{\circ}$ C		

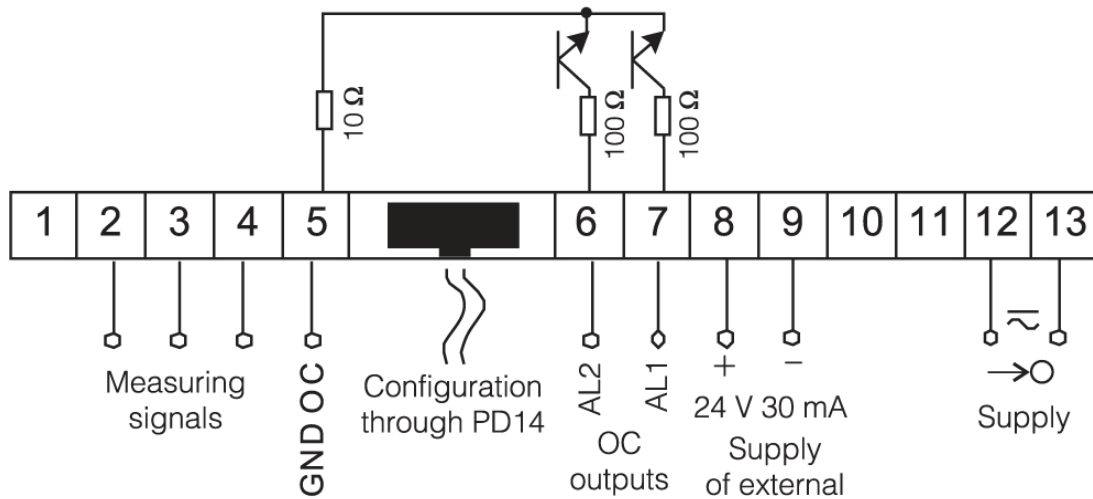
Outputs	
Kind of output	Features
Alarm outputs	♦ 2 alarm outputs of OC type
Outputs for external supply of transducers	♦ 24 V \pm 5 %, 30 mA

External features		
Read-out field	5-digit LED display Indication range: -19999...99999 Digit height: 14 mm	Three-colour display (changes of colour depend on the displayed value): red, green, orange
Weight	< 0,25 kg	
Overall dimensions	96 x 48 x 64 mm	Panel cut-out: 92 ^{+0,6} x 45 ^{+0,6} mm
Protection grade	IP65 (Front side)	IP10 (Terminal side)

Rated operating conditions		
Supply	85..253 VAC (45...65 Hz) or DC 20..40 VAC (45...65 Hz) or DC	Power consumption < 6VA
Temperature	Ambient: -10...23...55 $^{\circ}$ C	Storage: -25...85 $^{\circ}$ C
Relative Humidity	< 95 %	Condensation inadmissible
Operating position	Any	

Safety and compatibility conditions		
Electromagnetic compatibility	Noise immunity	acc. to EN 61000-6-2
	Noise emissions	acc. to EN 61000-6-4
Safety requirements		acc. to EN 61010-1
Galvanic isolation between supply and measuring unit.	3,2 kV DC	

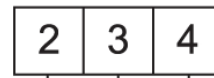
4 Connecting diagrams



Electrical connections of IA-N20 meter



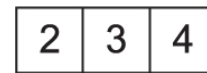
RTD in two-wire system with manual compensation



RTD in three-wire system with automatic compensation



J, K thermocouples



current input voltage input

5 Order codes

Code	Description
IA-N20Z	Digital panel meter
	Input
1	Pt100: -50...400°C
2	Thermocouple J: -50...1200°C
3	Thermocouple K: -50...1370°C
4	0...20 mA
5	4...20 mA
6	± 20 mA
7	0...60 mV
8	0...10 V
9	± 10 V
	Supply
1	85...235 V AC/DC
2	20..40 V AC/DC
	Unit
XX	see table 1
	Version
00	standard
XX	custom-made*
99	non-standard settings (please see ordering example)
	Certification
8	without additional quality inspection certificate
7	with additional quality inspection certificate
X	on request*

IA-N20Z					
---------	--	--	--	--	--

*Please contact manufacturer

Table 1: Unit codes

Code	Unit	Code	Unit	Code	Unit
00	without	17	µm	34	bar
01	V	18	mm	35	rad
02	A	19	cm	36	Ω
03	mV	20	m	37	kΩ
04	kV	21	km	38	%
05	MV	22	l	39	°
06	mA	23	l/s	40	turns
07	kA	24	l/h	41	rps
08	MA	25	ms	42	rpm
09	°C	26	s	43	rph
10	°F	27	h	44	m/h
11	K	28	N	45	km/h
12	Hz	29	kN	46	imp
13	kHz	30	Pa	XX	on order*
14	Ah	31	hPa		
15	kAh	32	kPa		
16	m/s	33	MPa		

*Please contact manufacturer

Order examples:

Example 1: **N20-9-1-01-00-8** means:

N20 meter with voltage input on ± 10 V, supply: 85...253 V AC, without extra certification requirements, "V"-unit

Example 2: **N20-5-2-38-99-8** + description:

Parameter	Range/Value
Displayed colour of the upper measured value	Red
Displayed colour of the median measured value	Green
Displayed colour of the lower measured value	Orange
Upper threshold – KpH	44.00
Lower threshold – KpL	40.00
Decimal point	000.00
Highlight of the measured unit	ON
Automatic compensation of terminal temperature	OFF
Manual compensation of terminal temperature	0
Averaging time	1 s
Upper overflow of measurement	9999
Lower overflow of measurement	-19999
Individual characteristic	ON
Parameter a of the individual characteristic	10.0
Parameter b of the individual characteristic	0
Kind of the alarm output 1 operation	ON
Upper value to switch the alarm 1 – Aon	40.00
Lower value to switch the alarm 1 – Aoff	0.00
Delay of the alarm 1 switching time	0 second
Kind of the alarm output 2 operation	n-on
Upper value to switch the alarm 2 – Aon	44.00
Lower value to switch the alarm 2 – Aoff	40.00
Delay of the alarm 1 switching time	0 second

- means: N20 meter with current input on 4...20 mA, supply: 20...40 V AC/DC, executed according to the given detailed description by the user, without extra certificate, "mV"-units

→ When ordering a meter with parameters different from the standard, all parameters have to be provided! ←

Besides the products covered by this brochure, Intra-Automation GmbH also manufactures other high-quality and high precision instruments for industrial measurement tasks. For more information, please contact us (contact details on the backside of this brochure).

Flow measurement



Itabar®-Flow Sensor



IntraSonic IS210 Ultrasonic Flow Meter

Level measurement



ITA-mag. Level Gauge



MAGLINK Level Indicator

Other Measurement Tasks:



DigiFlow Flow and Level Computers



IntraCon Digital Controllers



IntraDigit Digital Indicators / Meters



INTRA-AUTOMATION

MESS- UND REGELINSTRUMENTE / MEASUREMENT AND CONTROL

IA



TÜVRheinland®
CERT
ISO 9001

International Headquarters:

Intra-Automation GmbH
Otto-Hahn-Str. 20
41515 Grevenbroich
GERMANY

☎ +49 – (0) 21 81 / 7 56 65-0

☎ +49 – (0) 21 81 / 6 44 92

✉ info@intra-automation.de

🌐 www.intra-automation.com

Sales Office for the BENELUX:

B.V. Intra-Automation HTP
PO Box 10
4730 AA Oudenbosch
THE NETHERLANDS

☎ +31 – (0)165 – 32 22 01

☎ +31 – (0)165 – 32 29 70

✉ info@intra-automation.nl