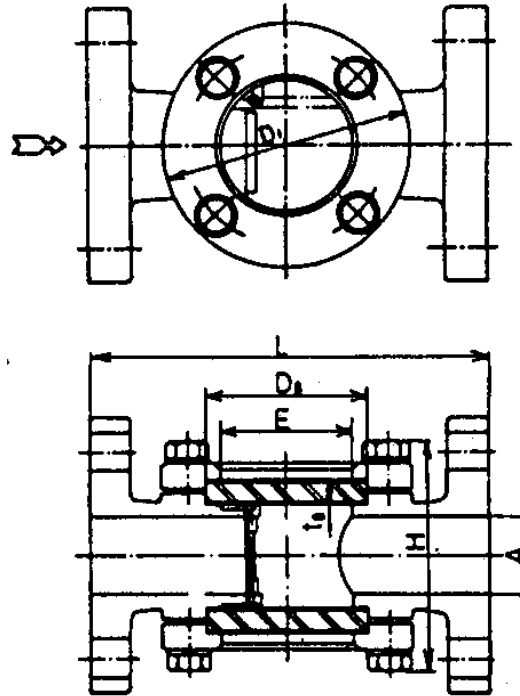


FLAPPER TYPE SIGHT GLASS

SERIES SSG

Model: SSG-2FB



Max. pressure: 30 kgf/cm²G
 Max. temperature: 300 °C
 Glass: tempered

Speciality:

- A spring stops an at the inlet mounted flapper from opening unintentionally. This allows its use for all flow directions.
- Flapper, pin & spring are made of stainless steel.
- Glass is strengthened and tested for pressures up to 45 kg / cm².

Dimensions:

Size A (")	L	H (approx)	E
15 (½)	160	130	40
20(¾)	160	130	40
25(1)	170	135	50
32(1 ¼)	200	160	65
40 (1 1/2)	200	160	65
50(2)	220	175	75
65 (2 ½)	270	200	105
80 (3)	270	200	105
100 (4)	320	240	130
125 (5)	380	280	170
150 (6)	420	310	200
200 (8)	500	370	260

Materials:

FC20 (Cast Iron)
SCS13 (Cast stainless steel)
SCS14 (Cast stainless steel)
SCPH2 (Cast steel)