

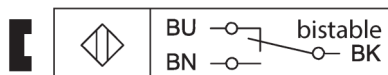
MAGNETIC SWITCH TYPE 1690 WITH 3 M UP TO 15 M CABLE



Switch 1690

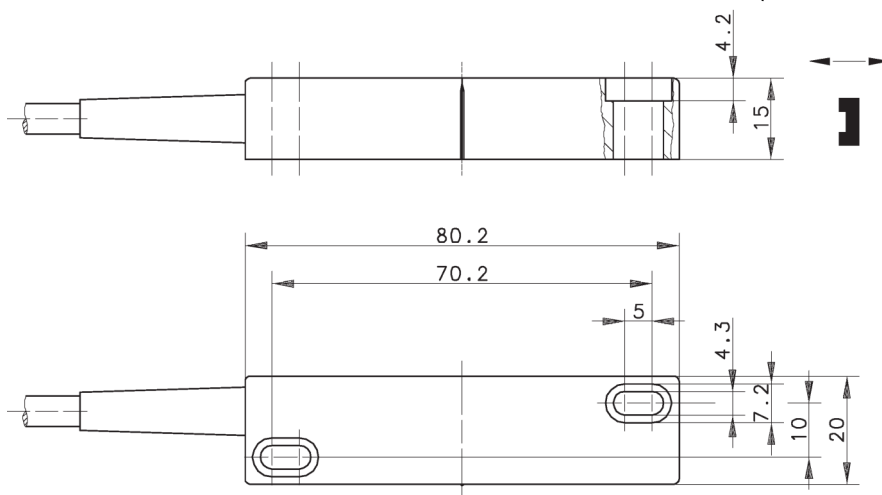
Description

Wiring diagram



Article no.: **6417512712** (3 m cable)

Article no.: **6417512713** (15 m cable)



Switch 1690

Technical Data

Switching Function	Bistable switch „north – N.O., south – N.C.”	
Reference magnet	T-62 N N/S (6301262039)	
Assured operating distance	S _a	15 mm
Repeat accuracy	R	± 0,1 mm, under same geometrical conditions at the same temperature

Ti_1690_en.pdf

MAGNETIC SWITCH TYPE 1690 WITH 3 M UP TO 15 M CABLE

Switch 1690

Electrical Data

Max. voltage	250 V AC/DC
Max. switching current	1,0 A
Max. switching capacity	80 VA
Protection class acc. EN IEC 61140	II (totally insulated)
Note	Combinations of switching voltage and switching current must not exceed the maximum switching capacity.

Switch 1690

Mechanical Data

Enclosure	PA6.6, red, encapsulated reed contact
Temperature range	-5 °C...+120°C (medium temp. inside tank) (cable not fixed mounted)
Protection type	IP 67 acc. to EN 60529
Termination type	Cable 3 x 0,5 mm ² x 3 m ± 5 %; PVC - outer jacket black (max. 15 m)
Assembly position	Optional (assembly on ferromagnetic material means reduction of switch distance)

Switch 1690

Standards

EN 60947-5-1
EN 62246-1

Switch 1690

EU Conformity

Acc. to directive 2014/35/EU (Low-Voltage-Directive)

Switch 1690

Notes

Contact protection must be provided for inductive and capacitive loads.

INTRA-AUTOMATION



MESS- UND REGELINSTRUMENTE / MEASUREMENT AND CONTROL

Intra-Automation GmbH
Otto-Hahn-Str. 20
41515 Grevenbroich
GERMANY

Phone: +49 - (0) 2181 - 7 56 65 - 0

Fax: +49 - (0) 2181 - 6 44 92

Mailto: info@intra-automation.de

Homepage: www.intra-automation.de

[Ti_1690_en.pdf](#)