

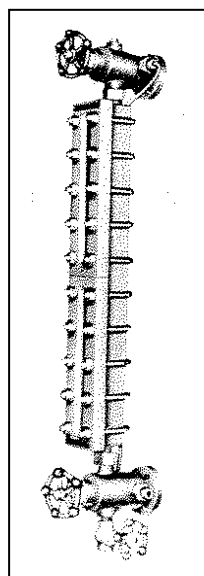
Heating or Cooling Type Level Gauge

Series SRJG and STJG

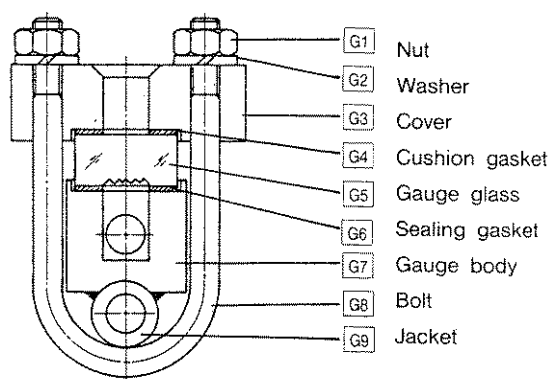
Description:

This level gauge is designed for use with liquid of poor fluidity and therefore difficult to measure. A jacket is fitted up the level gauge and gauge valve and steam or heated water is passed through this jacket to improve the fluidity of the liquid and this makes measuring easy. The same gauge can be used as a cooling type gauge.

Model:



SRJG

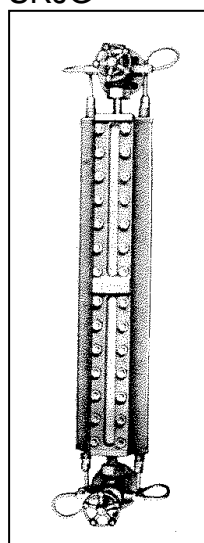


Model: SRJG-1

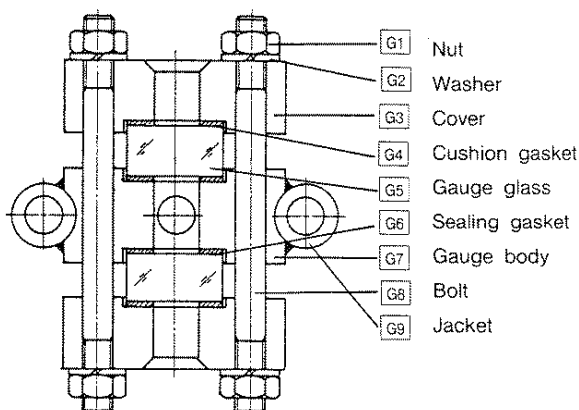
Material: Carbon Steel / Stainless Steel

Max. pressure: 45/cm² g

Size: 15A, 20A, 25A



STJG



Model: STG-1

Material: Carbon Steel / Stainless Steel

Max. pressure: 250 kg/cm²

Size: 15A, 20A, 25A