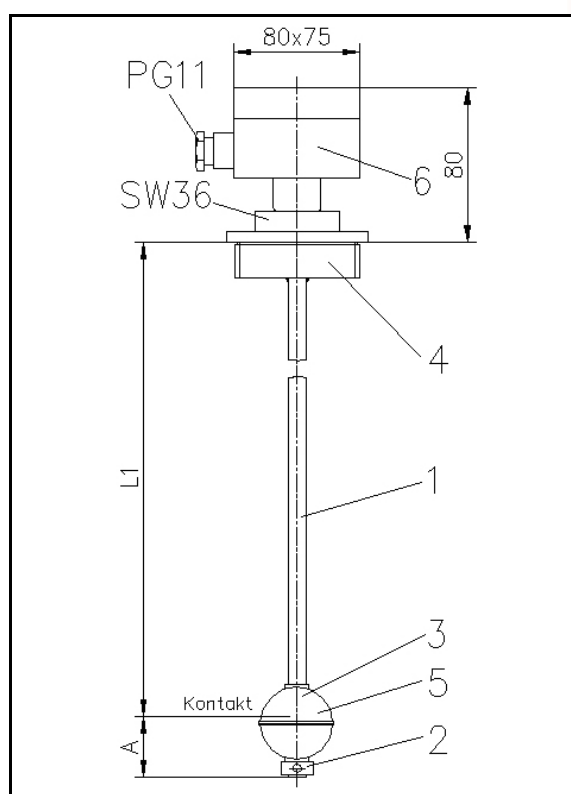


Magnetic Multi-Float-Switch

Type: ITA-T1R



Technical Information

01/2018



LEVEL

Intra-Automation
Technical Information
01/2018

Technical details subject to be changed without notice.

For comments regarding this brochure, please contact:
info@intra-automation.de

Type: ITA-T1R

Magnetic Multi-Float-Switch

List of Contents:

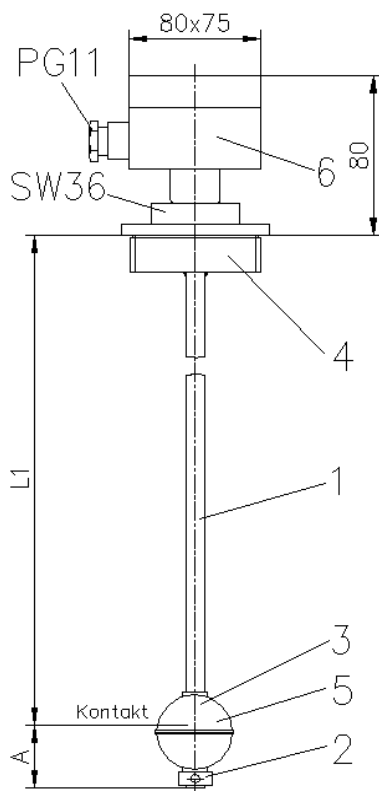
Chapt.	Description	Page
1	Technical data	
2	Dimensions	
3	Order code	

1. Technical Data

Op. pressure (max)	:	40 bar, depending on mounting type and selected float
Op. temperature (max)	:	+70 °C (158°F) (EEx d); +100 °C (213°F) (Standard)
Ambient temperature	:	-20 (-4°F)...+70 °C (158°F)
Density (min)	:	Depending on the selected float
Installation	:	vertical, $\pm 30^\circ$
Protection class	:	IP65
Weight	:	Depending on the application
Switch distance (min)	:	Float diameter + 30 mm
Reed switch	:	Type: KSK-IE25-BV432 ($U_{\max} = 230 \text{ V AC/DC}$; $I_{\max} = 2 \text{ A}$) (Ex-Version: $U_{i\max} = 30 \text{ V DC}$; $I_{i\max} = 100 \text{ A}$; $L_{i\max} = 0 \text{ }\mu\text{H}$; $C_{i\max} = 0 \text{ nF}$)

2. Dimensions

L1	:	min. 30 mm (flanged version) min. 50 mm (screwed version)
L_{max}	:	6000 mm
A	:	min 50 mm
Pipe-Ø	:	14 mm



- | | |
|----|--------------------|
| 1: | Guide tube |
| 2: | Float stop |
| 3: | Float |
| 4: | Tank connection |
| 5: | Switch point |
| 6: | Electronic housing |

3. Order codes	
Code	Description
ITA-T1R	Magnetic Multi-Float-Switch for top-mounting onto tank
	Material guide tube / meas. length in mm
S-L _____ mm	316Ti
T-L _____ mm	Titanium
P-L _____ mm	PP
V-L _____ mm	PVC
H-L _____ mm	Hastelloy
	Material tank mounting
C-R01	CS – R 1/2"
C-N01	CS – 1/2" NPT
C-F11	CS – blind flange DN50 PN16
C-F12	CS – blind flange DN100 PN16
C-F21	CS – blind flange 2" 150 lbs RF
C-F22	CS – blind flange 4" 150 lbs RF
S-R01	SS316TI – R 1/2"
S-N01	SS316TI – 1/2" NPT
S-F11	SS316TI – blind flange DN50 PN16
S-F12	SS316TI – blind flange DN100 PN16
S-F21	SS316TI – blind flange 2" 150 lbs RF
S-F22	SS316TI – blind flange 4" 150 lbs RF
T-F11	Titanium – blind flange DN50 PN16
T-F12	Titanium – blind flange DN100 PN16
T-F21	Titanium – blind flange 2" 150 lbs RF
T-F22	Titanium – blind flange 4" 150 lbs RF
P-F11	PP – blind flange DN50 PN16
P-F12	PP – blind flange DN100 PN16
P-F21	PP – blind flange 2" 150 lbs RF
P-F22	PP – blind flange 4" 150 lbs RF
V-F11	PVC – blind flange DN50 PN16
V-F12	PVC – blind flange DN100 PN16
V-F21	PVC – blind flange 2" 150 lbs RF
V-F22	PVC – blind flange 4" 150 lbs RF
X-F11	PVDF – blind flange DN50 PN16
X-F12	PVDF – blind flange DN100 PN16
X-F21	PVDF – blind flange 2" 150 lbs RF
X-F22	PVDF – blind flange 4" 150 lbs RF
H-F11	Hastelloy – blind flange DN50 PN16
H-F23	Hastelloy – blind flange DN80 PN16
H-F12	Hastelloy – blind flange DN100 PN16
H-F21	Hastelloy – blind flange 2" 150 lbs RF
H-F24	Hastelloy – blind flange 3" 150 lbs RF
H-F22	Hastelloy – blind flange 4" 150 lbs RF
9999	other, please specify
	Anzahl Schaltpunkte*
1	1 switch point
2	2 switch points
3	3 switch points
4	4 switch points
	Float type:
A	∅ 52 mm, min. ρ: 0,7 kg/dm ³ , max. p: 40 bar, material: 316Ti
B	∅ 80 mm, min. ρ: 0,6 kg/dm ³ , max. p: 17 bar, material: Titanium
C	∅ 80x35 mm, min. ρ: 0,5 kg/dm ³ , max. p: 13 bar, material: 316Ti
D	∅ 44x52 mm, min. ρ: 0,8 kg/dm ³ , max. p: 25 bar, material: 316Ti
E	∅ 50x120 mm, min. ρ: 0,55 kg/dm ³ , max. p: 10 bar, material: PVC
F	∅ 50x120 mm, min. ρ: 0,5 kg/dm ³ , max. p: 10 bar, material: PP
Y	∅ 65 mm, min. ρ: 0,7 kg/dm ³ , max. p: 6 bar, material: Hastelloy

Code	Description
	Connection head
A	Aluminium, IP65, max. 2 switches
S	316Ti, IP65, max. 2 switches
E	Aluminium, epoxy-coated, EExd, IP66, max. 2 switches
9	others (on request)
	Contacts
S	Normally open (NO)
C	Normally closed (NC)
	Certificate
00	without
Ex	Ex II 1/2G EEx d T4...T6, EEx ia T4...T6 (only connection head „E“)

ITA-T1R-□-___mm-□-□□□-□-□-□-□-□□

*requested switch points:

Switch point 1	:	mm
Switch point 2	:	mm
Switch point 3	:	mm
Switch point 4	:	mm

Besides the products covered by this brochure, Intra-Automation GmbH also manufactures other high-quality and high precision instruments for industrial measurement tasks. For more information, please contact us (contact details on the backside of this brochure).

Flow measurement



Itabar®-Flow Sensor



IntraSonic IS210 Ultrasonic Flow Meter

Level measurement



ITA-mag. Level Gauge



MAGLINK Level Indicator

Other Measurement Tasks:



DigiFlow Flow and Level Computers



IntraCon Digital Controllers



IntraDigit Digital Indicators / Meters



INTRA-AUTOMATION **IA**

MESS- UND REGELINSTRUMENTE / MEASUREMENT AND CONTROL

International Headquarters:

Intra-Automation GmbH
Otto-Hahn-Str. 20
41515 Grevenbroich
GERMANY

☎ +49 – (0) 21 81 / 7 56 65-0

☎ +49 – (0) 21 81 / 6 44 92

✉ info@intra-automation.de

🌐 www.intra-automation.com

Sales Office for the BENELUX:

B.V. Intra-Automation HTP
PO Box 10
4730 AA Oudenbosch
THE NETHERLANDS

☎ +31 – (0)165 – 32 22 01

☎ +31 – (0)165 – 32 29 70

✉ info@intra-automation.nl