

# Air Purge Unit

**Series: LSP-compact**

**Type: EJG-2**



## Technical Information

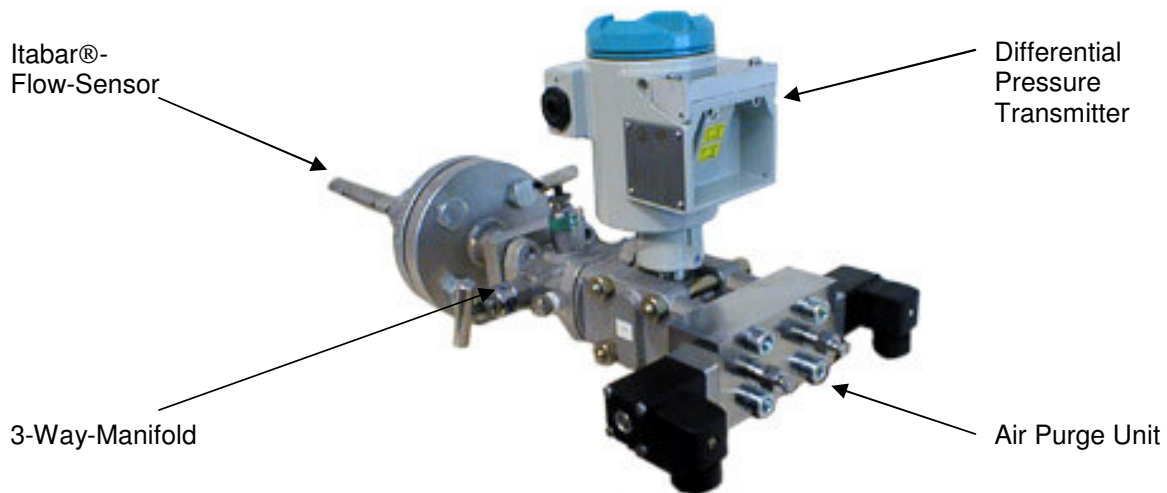
02/2021



Accessories

**THE EXPERT IN LEVEL AND FLOW**

## Air Purge Unit LSP-compact



### Advantages

- ◆ easy handling and installation
- ◆ simple design (small number of components)
- ◆ easy triggering

### Description

In order to achieve an optimal measurement result in the case of flow measurement of impure media, until now, the flow sensor had to be pulled out and cleaned in repeated time intervals or, as a second option, a more complicated air purge unit had to be installed.

The air purge unit LSP-compact offers a lower priced alternative.

Due to the compact design (small number of components) the LSP-compact is very trouble-free and easy to install. (s. fig. above).

Complicated control box installation can be avoided and possible storage of spare parts will be reduced.

In general, the LSP-compact is a 2/2-way directly controlled valve. Therefore the LSP-compact can be triggered by the user via relay or SPS.

Also it is possible to trigger the LSP through the related option of the DigiFlow. In that case the air purge cycle time, clean time and settle time can be programmed freely according to the process. At the same time, the DigiFlow saves the last measured value prior to the air purging.

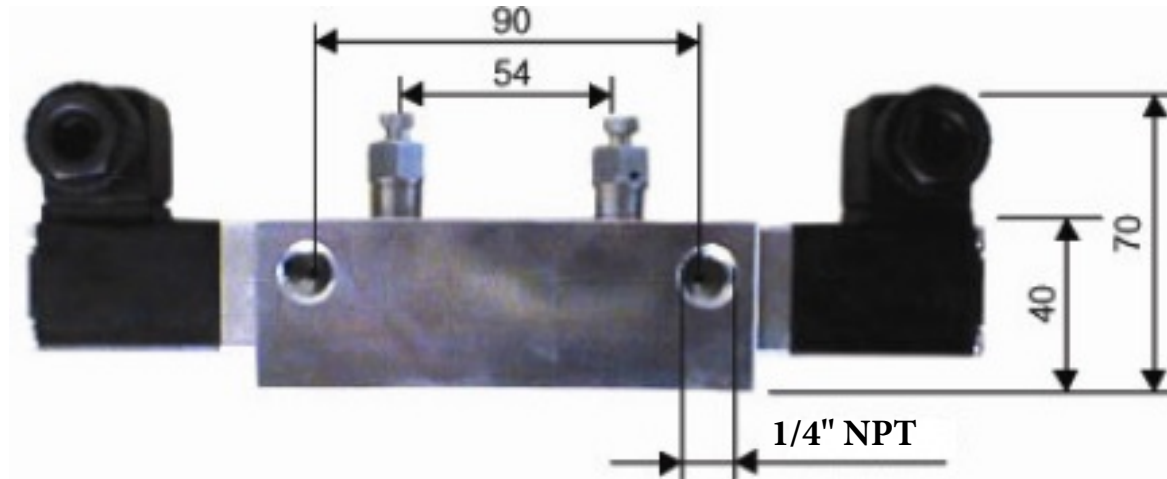
### Recommended application

On the following solid contents (here: dust) in the fluid (here: gaseous medium) the application of an Air Purge Unit is recommended:

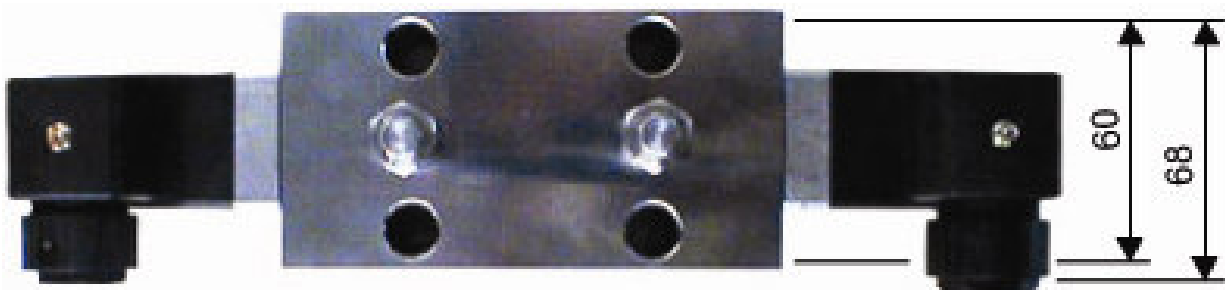
<b>Solid content in mg/m<sup>3</sup></b>	<b>Recommendation</b>
< 140	<b>No</b> Air Purge Unit needed
140... 280	Air Purge Unit <b>recommended</b>
> 280	Air Purge Unit <b>needed</b>

**Doubts?** Please ask our consultants for a recommendation.

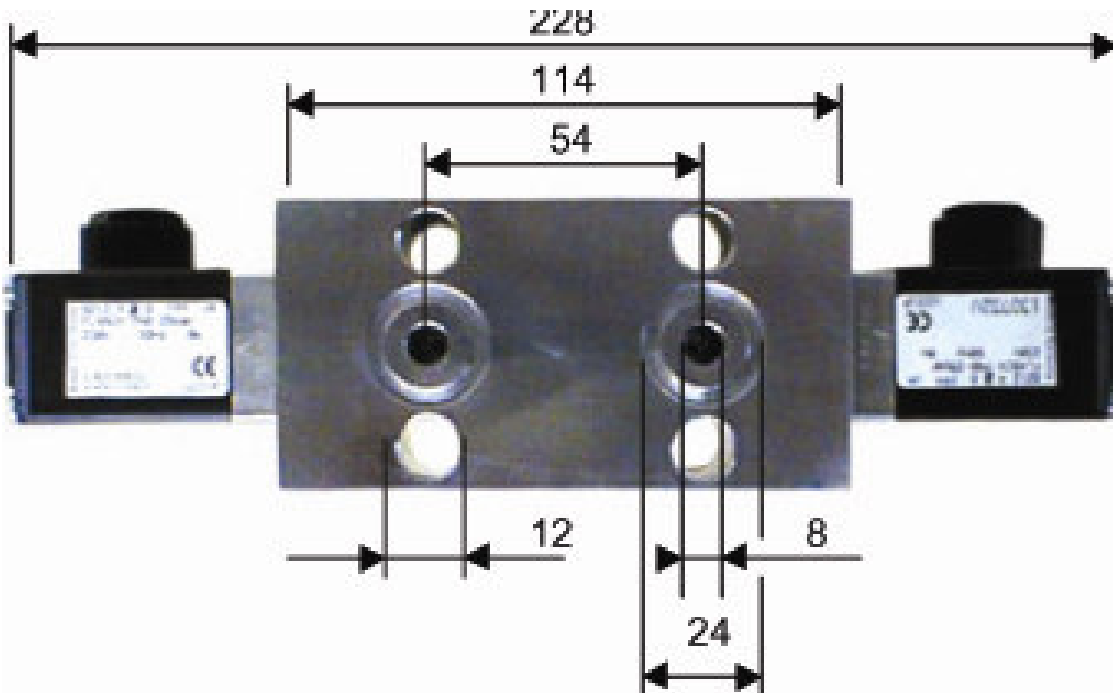
**View from purge air connection side:**



**View from vent/drain connection side:**

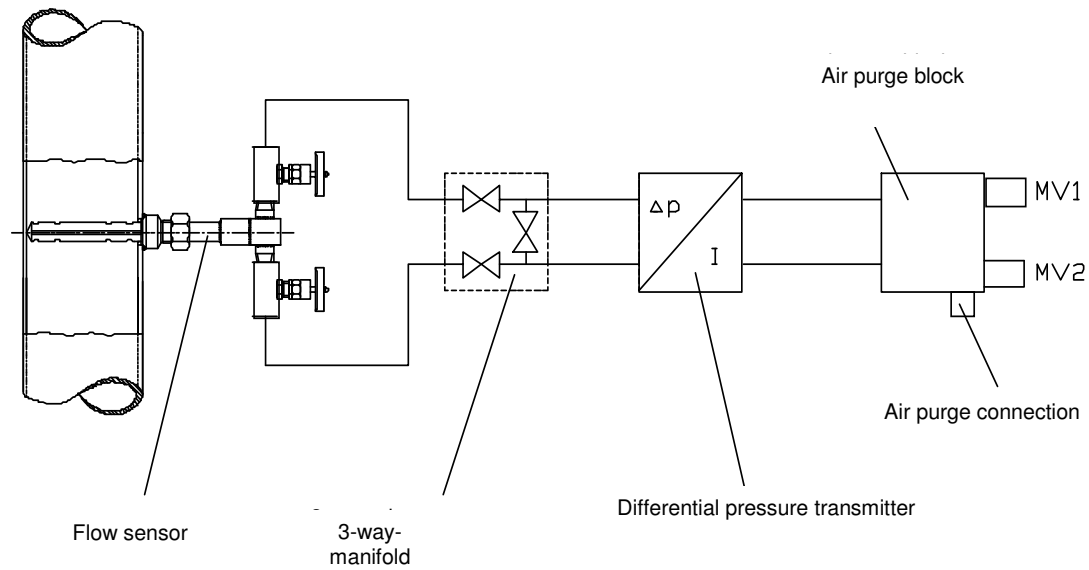


**View from transmitter mounting side**



(All dimensions in mm)

## Design



## Installation

The air purge block has to be mounted directly to the differential pressure transmitter by using the delivered screws. On the opposite side of you have to connect the pressure lines. This guarantees that both instruments – sensor and transmitter – will be purged and cleaned. On the side of the purging block there is the connection for purging air. (standard flexible tube  $\varnothing$  6 mm). The magnetic valves MV1 and MV2 are powered by 220 V AC (other kinds of power supply on request).

**Technische Daten:****Standard version, without Ex-protection**

article-no.	: EJJ-21..
valve type	: 2/2 way, direct controlled
medium	: air
function	: In rest position closed
pipe connection	: 1/4" NPT
fitting position	: random
nominal width	: 3 mm
Kv – flow rate	: approx 0.23 m <sup>3</sup> /h
operating pressure	: max. 6 bar
nominal stroke	: 1 mm
Leakage rate	: no bubble tracking
temperature of medium	: -10 ... + 90 °C
ambient temperature	: max. 55 °C
material of valve body	: Anodized aluminium or ST ST
material of parts inside	: ST ST
material of seals	: FPM
nominal voltage	: AC: 24 V, 110 V or 220 V / 50 Hz DC: 24 V
protection class	: without
make time	: 100%
type of protection	: IP 65
electrical connection	: acc. DIN 43650
power consumption	: 21 VA AC (start up) 12 VA/ 8 W (during working)
weight	: approx. 2.7 kg

**EEx ed-version**

article-no.	: EJJ-22..
valve type	: 2/2 way, direct controlled
medium	: air
function	: In rest position closed
pipe connection	: 1/4" NPT
fitting position	: random
nominal width	: 2 mm
Kv – flow rate	: approx. 0.23 m <sup>3</sup> /h
operating pressure	: max. 5 bar
nominal stroke	: 1 mm
Leakage rate	: no bubble tracking
temperature of medium	: -10 ... + 100 °C for temperature class T6 -30 ... + 60 °C (for <a href="#">single mounting</a> )
ambient temperature	: max. 135 °C
material of valve body	: Anodized aluminium or ST ST
material of parts inside	: ST ST
material of seals	: FPM
nominal voltage	: UC: 230V / 50Hz
protection class	: EEx M II 2G/D T4 ; EEx EM II 2G/D T4 (PTB 00 ATEX 2129X)
make time	: 100%
type of protection	: IP 65
electrical connection	: Pressed-in cable (3000 mm)
power consumption	: 7 Watt
weight	: Ca. 2.7 kg



Besides the products covered by this brochure, Intra-Automation GmbH also manufactures other high-quality and high precision instruments for industrial measurement tasks. For more information, please contact us (contact details on the backside of this brochure).

**Flow measurement**



Itabar®-Flow Sensor



IntraSonic IS210 Ultrasonic Flow Meter

**Level measurement**



ITA-mag. Level Gauge



MAGLINK Level Indicator

**Other Measurement Tasks:**



DigiFlow Flow and Level Computers



IntraCon Digital Controllers



IntraDigit Digital Indicators / Meters



**INTRA-AUTOMATION GmbH**

MESS - UND REGELINSTRUMENTE

**International Headquarters:**

Intra-Automation GmbH  
Otto-Hahn-Str. 20  
41515 Grevenbroich  
GERMANY

☎ +49 – (0) 21 81 / 7 56 65-0

☎ +49 – (0) 21 81 / 6 44 92

✉ [info@intra-automation.de](mailto:info@intra-automation.de)

🌐 [www.intra-automation.com](http://www.intra-automation.com)

**Sales Office for the BENELUX:**

B.V. Intra-Automation HTP  
PO Box 10  
4731 AA Oudenbosch  
THE NETHERLANDS

☎ +31 – (0)165 – 32 22 01

☎ +31 – (0)165 – 32 29 70

✉ [info@intra-automation.nl](mailto:info@intra-automation.nl)