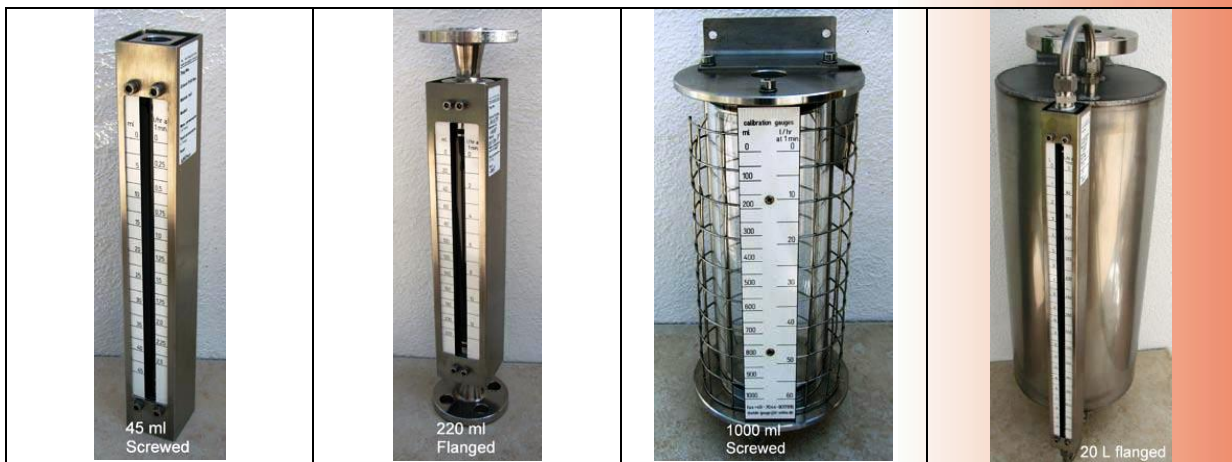


CALIBRATION POTS

Type: ITA-CP



Technical Information

11/2012



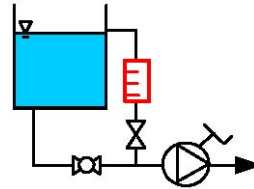
LEVEL

Intra-Automation
Technical Information
11/2012

Technical details subject to be changed without notice.

For comments regarding this brochure, please contact
info@intra-automation.de

Calibration Pots

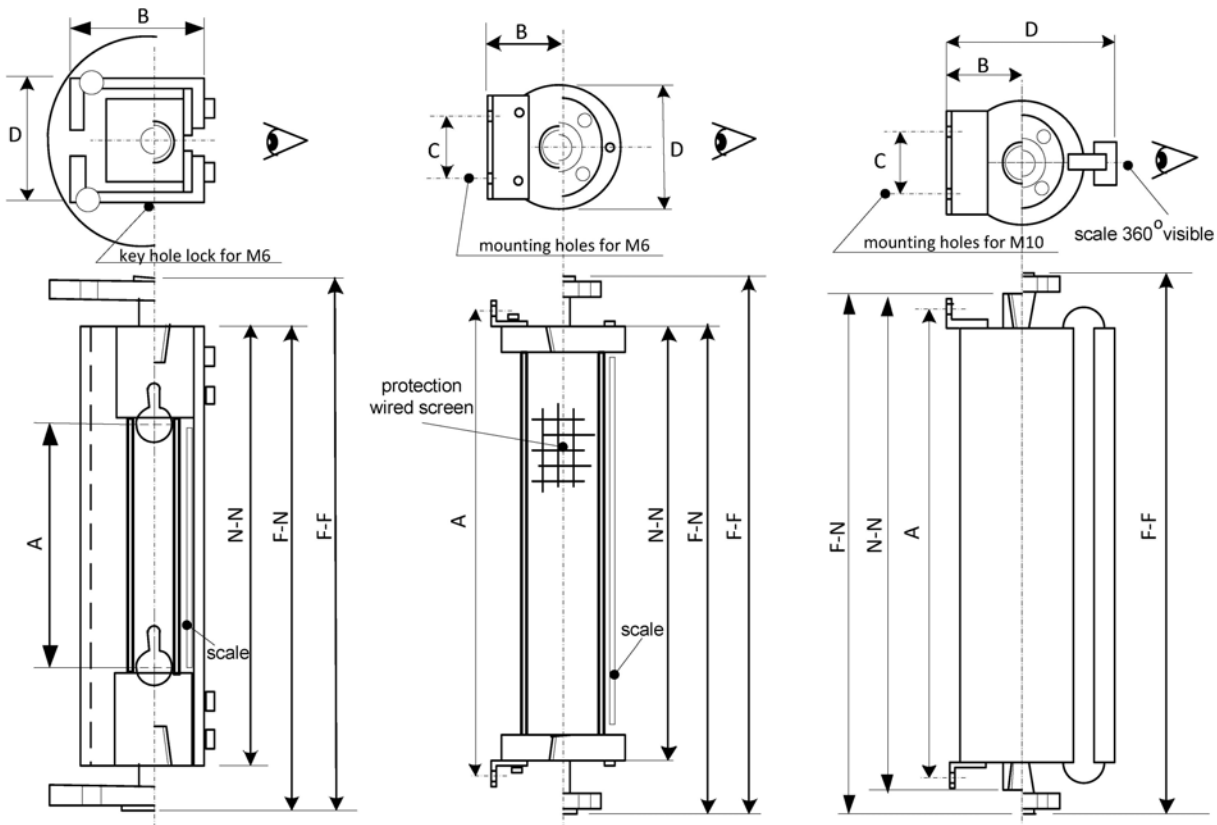


For Correct Pump-Setting, Easy Fault Detection and Reduction of Operational Cost

1. Designed for the oil and gas industry, meeting today's user and contractor's document requirements.
2. Stress-relieved borosilicate glass is used instead of plastic materials, providing clear visibility at all times without the risk of chemical or environmental attack.
3. Radial glass sealing, securing positive and stress-free sealing over a wide temperature range.
4. All SS316 metals (wetted and non-wetted, making the instrument suited to be installed on (petro-) chemical plants and offshore installations.
5. Rugged glass protection for mechanical impact.
6. Dual scale indication for easy for easy volumetric and capacity readout.
7. The widest range. Calibration gauges with volumes of 2,5 ml (160 ml/hr) or 40 l (2,4 m³/hr)

Order Specification

Code	Description
ITA-CP	Calibration Pot
	Material Wetted Parts
SS	316SS
XX	other material (please specify)
	Material Sealing
V	Viton/FKM (Standard)
E	EPDM
B	Buna N / NBR
P	PTFE
	Volume
	Indication in ml
	Indication in l
	Bottom connection
N	NPTF (standard)
F	welded flange 150#
	Top connection
N	NPTF (standard)
F	welded flange 150#
	Scales (volumetric capacity)
	No coding: ml-ml/hr (standard)
GPH	mm-USGPH
GPD	mm-USGPD
	Measurement style
	No coding: while emptying (standard)
R	while refilling
ITA-CP	



Model ITA-CP-	Capacity scale Range (division)	Volume scale Range (division)	Connection screwed (N)	Connection flanged (F)	Figure	N-N mm	F-N mm	F-F mm	A mm	B mm	C mm	D mm	Wght kg
** -x2,5 -*-*	0 -160 ml/hr (10)	0 -2,6 ml (0,2)	1/2" NPT	1/2" 150#	1	323	372	422	-	45	-	55	0,9
** -x5,5 -*-*	0 -340 ml/hr (10)	0 -5,6 ml (0,2)	1/2" NPT	1/2" 150#	1	573	623	672	-	45	-	55	1,3
** -x9 -*-*	0 -0,55 l/hr (0,025)	0 -9,0 ml (0,5)	1/2" NPT	1/2" 150#	1	323	372	422	-	45	-	55	1,0
** -x20 -*-*	0 -1,2 l/hr (0,025)	0 -20 ml (0,5)	1/2" NPT	1/2" 150#	1	573	623	672	-	45	-	55	1,4
** -x45 -*-*	0 -2,7 l/hr (0,125)	0 -45 ml (2,5)	1/2" NPT	1/2" 150#	1	323	372	422	-	45	-	55	1,0
** -x100 -*-*	0 -6,0 l/hr (0,125)	0 -100 ml (2,5)	1/2" NPT	1/2" 150#	1	573	623	672	-	45	-	55	1,4
** -x220 -*-*	0 -13 l/hr (1)	0 -220 ml (10)	1/2" NPT	1/2" 150#	1	323	372	422	-	60	-	68	1,9
** -x500 -*-*	0 -30 l/hr (1)	0 -500 ml (10)	1/2" NPT	1/2" 150#	1	573	623	672	-	60	-	68	2,5
** -x1000 -*-*	0 -60 l/hr (5)	0 -1.000 ml (50)	3/4" NPT	3/4" 150#	2	265	318	371	299	74	90	ø135	3,7
** -x2200 -*-*	0 -135 l/hr (5)	0 -2.200 ml (50)	3/4" NPT	3/4" 150#	2	515	568	622	550	74	90	ø135	4,9
** -x4000 -*-*	0 -240 l/hr (20)	0 -4.000 ml (200)	1" NPT	1" 150#	2	265	321	378	299	110	15 9	ø210	9,3
** -x10L -*-*	0 -600 l/hr (25)	0 -10 L (0,5)	1" NPT	1" 150#	3	316	372	428	300	142	80	325	10
** -x22L-F-F	0 -1.350 l/hr (25)	0 - 22,5 L (0,5)	-	1-1/2" 150#	3	-	-	630	550	142	80	325	14
** -x40L-F-F	0 - 2.400 l/hr (80)	0 -40 L (1)	-	2" 150#	3	-	-	692	610	155	80	418	18

** indicates the wetted parts material (SS or XX)

x indicates the seal material as per page 2 order code.

- indicates the bottom-top connections as per page 2 order code.

Besides the products covered by this brochure, Intra-Automation GmbH also manufactures other high-quality and high precision instruments for industrial measurement tasks. For more information, please contact us (contact details on the backside of this brochure).

Flow measurement



Itabar®-Flow Sensor



IntraSonic IS210 Ultrasonic Flow Meter

Level measurement



ITA-mag. Level Gauge



MAGLINK Level Indicator

Other Measurement Tasks:



DigiFlow Flow and Level Computers



IntraCon Digital Controllers



IntraDigit Digital Indicators / Meters



INTRA-AUTOMATION

MESS- UND REGELINSTRUMENTE / MEASUREMENT AND CONTROL



TÜVRheinland®
CERT
ISO 9001

International Headquarters:

Intra-Automation GmbH
Otto-Hahn-Str. 20
41515 Grevenbroich
GERMANY

☎ +49 – (0) 21 81 / 7 56 65-0

☎ +49 – (0) 21 81 / 6 44 92

✉ info@intra-automation.de

🌐 www.intra-automation.com

Sales Office for the BENELUX:

B.V. Intra-Automation HTP
PO Box 10
4730 AA Oudenbosch
THE NETHERLANDS

☎ +31 – (0)165 – 32 22 01

☎ +31 – (0)165 – 32 29 70

✉ info@intra-automation.nl