

Temperature Controller IntraCon Series IA-RE82



Technical Information

03/2011



Accessories

THE EXPERT IN LEVEL AND FLOW

Intra-Automation
Technical Information
03/2011

Technical details subject to be changed without notice.

For comments regarding this brochure, please contact:
info@intra-automation.de

IA-RE82 IntraCon Temperature Controller

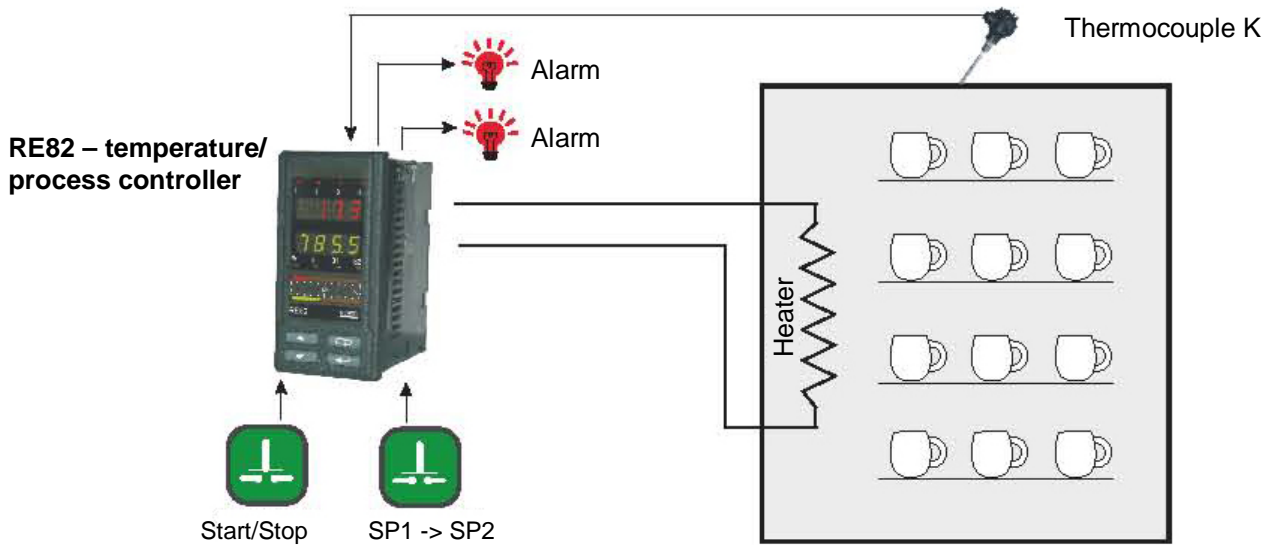
List of Contents:

Chapt.	Title	Page
1	Features	3
2	Application example	3
3	Technical data	4
4	Electrical Connection	5
5	Ordering code	6

1 Features

- ◆ Universal measuring input
- ◆ Binary input control
- ◆ Set point value: fixed value, programmed or from an additional input
- ◆ On/Off, PID, PID step-by-step control (valve control) or PID of heating-cooling type.
- ◆ Soft start
- 8 types of alarms
- Function of bistable alarm (LATCH)
- Timer function
- Measurement of heater current and heater burning or short-circuit of the control element

2 Application example



Control of ceramics burning process

3 Technical data

Inputs		
Input type	Range	Error
Pt100	-200...850 °C	0.2 %
Pt1000	-200...850 °C	0.2 %
Fe-CuNi (J)	-100...1200 °C	0.3 %
Cu-CuNi (T)	-100...400 °C	0.3 %
NiCr-NiAl (K)	-100...1372 °C	0.3 %
PtRh10-Pt (S)	0...1767 °C	0.5 %
PtRh13-Pt (R)	0...1767 °C	0.5 %
PtRh30-Pt6 (B)	200...1767 °C	0.5 %
NiCr-CuNi (E)	-100...1000 °C	0.3 %
NiCrSi-NiSi (N)	-100...1300 °C	0.3 %
chromel-kopel (L)	-100...800 °C	0.3 %
Current channels (I)	0/4...20 mA	0.2 % ± 1 digit
Voltage channels (U)	0...5/10 V	0.2 % ± 1 digit
Binary	voltageless	

Outputs		
Kind of output	Properties	
Voltageless relay output	NO contact	2A/230 V AC (out 1 and 2) 1A/230 V AC (out 3)
Voltage transmitter output	0/5 V	max. 40 A
Continuous voltage output	0...10 V	at $R_{load} \geq 1 \text{ k}\Omega$
Continuous current output	0...20 mA, 4...20 mA	at $R_{load} \leq 500 \Omega$
Supply of measuring relays	24 V DC	max. 30 mA

Digital interfaces			
Interface type	Transmission protocol	Modes	Baud rates
RS-485	MODBUS RTU	8N2, 8E1, 8O1, 8N1	4.8, 9.6, 19.2, 38.4, 57.6, 115.2 kbit/s

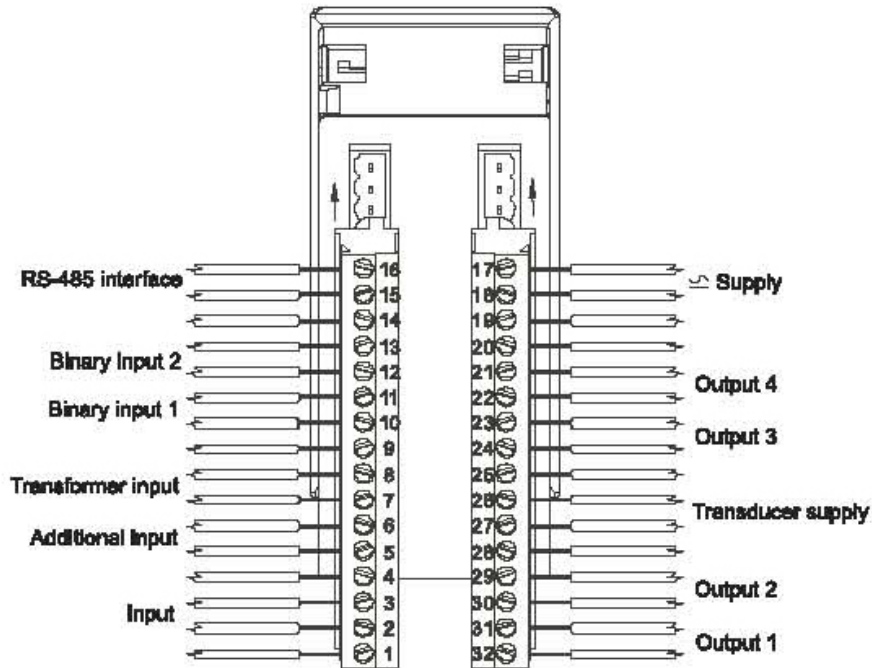
External features		
Read-out field	2x4 digits	Digit height: 10 mm, red and green
Weight	< 0,2 kg	
Dimensions	48 x 96 x 93 mm	
Protection grade (acc. to EN 60529)	IP65 (housing/front side)	IP20 (terminal side)
Bargraph	2x 21 points	colour: red and green

Rated operation conditions		
Supply voltage	85...253 V AC/DC	24...40 V AC/DC
Temperature	Ambient: 0...23...50 °C	Storage: -20...70 °C
Relative humidity	≤ 85 %	(without condensation of water vapour)
Operating position	any	

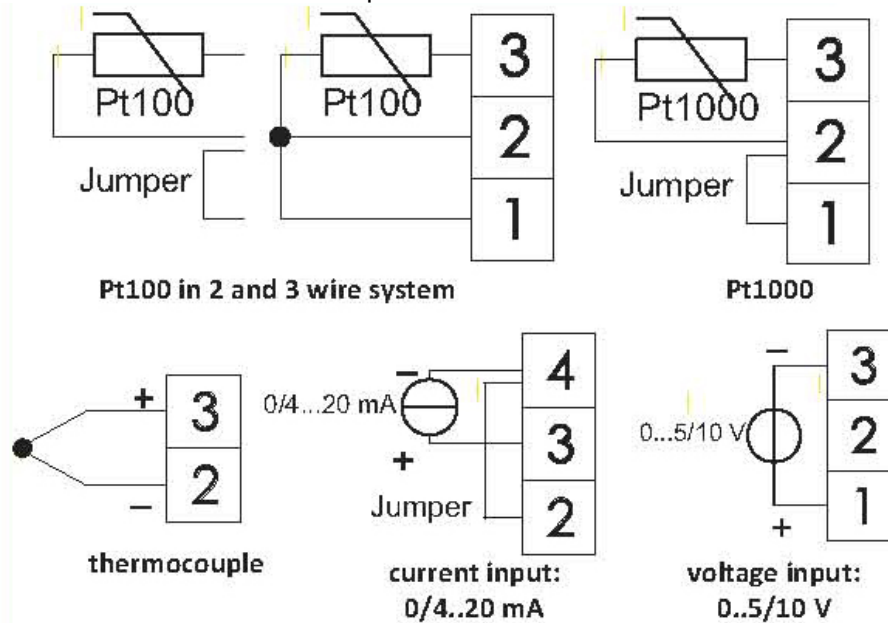
Safety and compatibility requirements		
Electromagnetic compatibility	noise immunity	acc. to EN 61000-6-2
	noise emissions	acc. to EN 61000-6-4
Pollution grade	2	
Installation category	III	
Maximal phase-to-earth operating voltage	supply circuit, output: 300 V	acc. to EN 61010-1
	input circuit: 50 V	
Altitude above sea level	< 2000 m	

4 Electrical connection

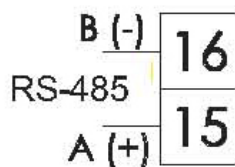
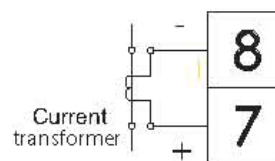
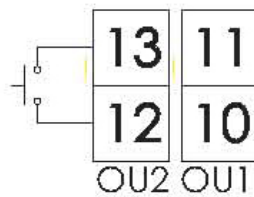
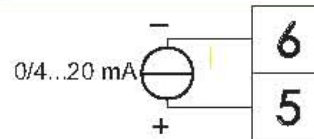
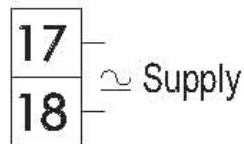
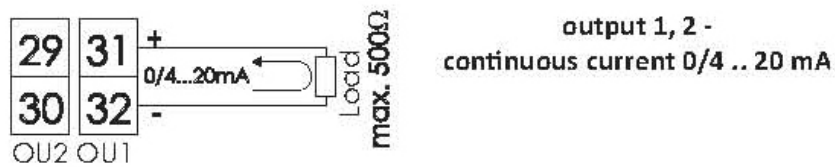
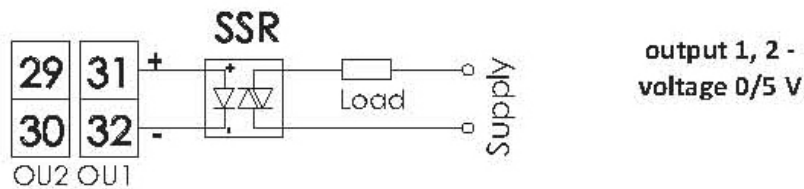
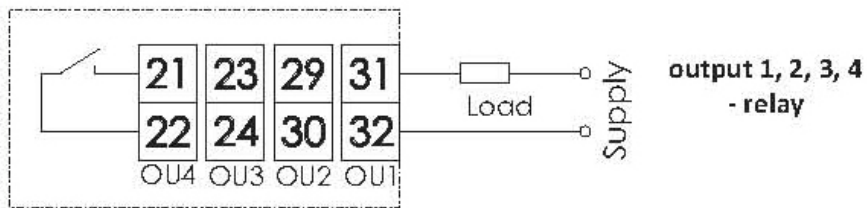
Controller connection terminal:



Input connections:



Control/alarm output



5 Order codes	
Code	Description
IA-RE82	Temperature Controller
	Output 1
1	relay
2	voltage: 0/5V
3	continuous current: 0/4...20 mA
4	continuous voltage: 0...10 V
	Output 2
1	relay
2	voltage: 0/5V
3	continuous current: 0/4...20 mA
4	continuous voltage: 0...10 V
	Supply of transducers
0	without
1	Transducer supply: 24 V DC, 1 W
	Supply
1	85...253 V AC/DC
2	20...40 V AC/DC
	Version
00	standard
XX	custom-made
	Language version
E	English
X	other
	Certification
0	without additional quality inspection certificate
1	with additional quality inspection certificate
X	on request*

IA-RE72									
---------	--	--	--	--	--	--	--	--	--

*Please contact manufacturer

Besides the products covered by this brochure, Intra-Automation GmbH also manufactures other high-quality and high precision instruments for industrial measurement tasks. For more information, please contact us (contact details on the backside of this brochure).

Flow measurement



Itabar®-Flow Sensor



IntraSonic IS210 Ultrasonic Flow Meter

Level measurement



ITA-mag. Level Gauge



MAGLINK Level Indicator

Other Measurement Tasks:



DigiFlow Flow and Level Computers



IntraCon Digital Controllers



IntraDigit Digital Indicators / Meters



INTRA-AUTOMATION

MESS- UND REGELINSTRUMENTE / MEASUREMENT AND CONTROL



TÜVRheinland®
CERT
ISO 9001

International Headquarters:

Intra-Automation GmbH
Otto-Hahn-Str. 20
41515 Grevenbroich
GERMANY

☎ +49 – (0) 21 81 / 7 56 65-0

☎ +49 – (0) 21 81 / 6 44 92

✉ info@intra-automation.de

🌐 www.intra-automation.com

Sales Office for the BENELUX:

B.V. Intra-Automation HTP
PO Box 10
4730 AA Oudenbosch
THE NETHERLANDS

☎ +31 – (0)165 – 32 22 01

☎ +31 – (0)165 – 32 29 70

