

Digital Panel Meter IntraDigit Series IA-N300



Technical Information

02/2011



Accessories

THE EXPERT IN LEVEL AND FLOW

Intra-Automation
Technical Information
02/2011

Technical details subject to be changed without notice.

For comments regarding this brochure, please contact:
info@intra-automation.de

IA-N300 IntraDigit Digital Panel Meter

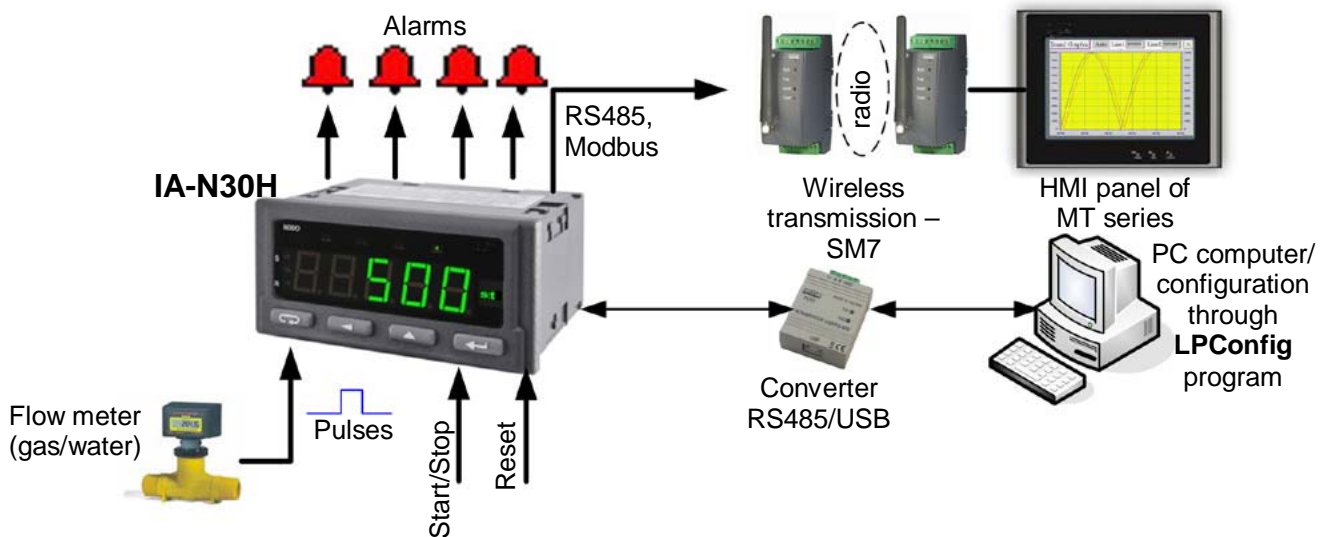
List of Contents:

Chapt.	Title	Page
1	Features	3
2	Application Example	3
3	Technical details	4
4	Electrical Connection	4
5	Ordering code	5

1 Features

- ◆ Measurement: number of pulses, frequency, rotational speed, period, work-time counter
- ◆ Two impulse counters, co-operation with encoders
- ◆ Counter of actual and total values
- ◆ Three-colour display (14 mm high), programmed in three intervals of the measured value
- ◆ Meter programming from the keyboard or through the RS-485 interface by means of the free delivered LPConfig program
- ◆ Four alarm outputs with signalling by LED diodes, operating in 6 different modes
- ◆ Conversion of any measured value into a 0/4...20 mA, or 0...10 V analogue signal
- ◆ Storage of minimal and maximum values for all measured values
- ◆ Supply of object transducers (option)
- ◆ 21-point individual characteristic for the measured value

2 Application example



Measurement and visualization of the water/gas flow.
Measured data are transmitted to the operating panel via radio modules.

3 Technical details

Inputs					
Signal	Input kind	Indication range	Max. frequency of input signal	Class	Note
Voltage 5...36 V DC	Number of pulses	-19999...99999	100 kHz	-	Duration of control signals must be higher than 10 ms.
	Frequency < 10 kHz	0.05...99999 Hz		0.01	
	Frequency > 10 kHz	1...99999 Hz	1 MHz	0.01	
	Rotational speed	0.05...99999 rpm	100 kHz	0.01	
	Period t < 10s	0.0001...11 s		0.01	
	Period t > 10s	0.0001...3600 s		0.01	
	Work-time counter	0...99999 h		0.5 s/24 h	
	Current time	00.00...23.59		0.5 s/24 h	
	Encoder	-19999...99999			

Outputs		
Kind of output	Properties	Remarks
Relay output	<ul style="list-style-type: none"> ◆ 2x relays , voltageless NO contacts, load-carrying capacity 250 V AC / 0.5 A AC ◆ 2x relays, voltageless switched contacts, load-carrying capacity 250 V AC / 0.5 A AC 	
Analogue output	<ul style="list-style-type: none"> ◆ current programmable 0/4...20 mA, load resistance ≤ 500 Ω ◆ voltage programmable 0...10 V, load resistance ≤ 500 Ω ◆ Error of output: 0.2 % of the set range 	Additional error from temperature changes: 50 % of class/10 K
OC output	◆ OC type, passive npn, 30 V DC / 30 mA	
Auxilliary supply	◆ 24 V DC / 30 mA	

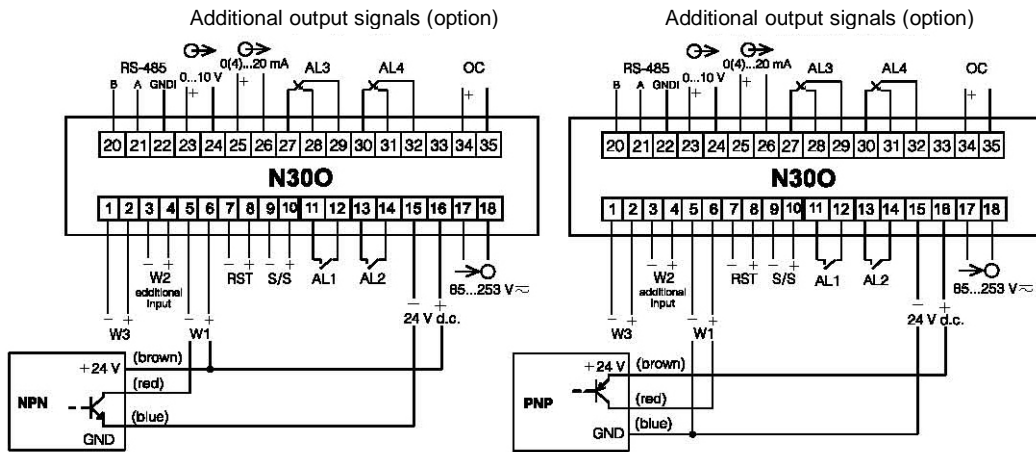
Digital interfaces			
Interface type	Transmission protocol	Modes	Baud rates
RS-485	MODBUS RTU	8N2, 8E1, 8O1, 8N1	4.8, 9.6, 19.2, 38.4, 57.6, 115.2 kbit/s

External features		
Readout field	5-digit LED display, Indication range: -19999...99999 digit height: 14 mm	Three colour display(colour changes depending on displayed value): red, green, orange
Weight	< 0.2 kg	
Overall dimensions	96 x 48 x 93 mm	Panel cut-out: 90 ^{+0.6} x 45 ^{+0.6} mm
Protection:	IP65 (front side)	IP10 (terminal side)

Rated operating conditions		
Supply	85..253 VAC (40...400 Hz) or DC 20..40 VAC (40...400 Hz) or DC	Power consumption < 6VA
Temperature	Ambient: -10...23...55 °C	Storage: -25...85 °C
Relative Humidity	< 95 %	Condensation inadmissible
Operating position	Any	
External magnetic field	0...400 A/m	

Safety and compatibility conditions		
Electromagnetic compatibility	noise immunity	acc. to EN 61000-6-2
	noise emissions	acc. to EN 61000-6-4
Isolation between circuits	basic	acc. to EN 61010-1
Pollution grade	2	
Installation category	III	
Maximal phase-to-earth working voltage	for the supply circuit: 300 V	
	for remaining circuits: 50 V	
Altitude above sea level	< 2000 m	

4 Connecting diagrams



Connections of the transducer with the OC output of NPN and PNP type

5 Order codes

Code	Description
IA-N300	Digital panel meter
	Supply
1	85...253 V AC/DC
2	20..40 V AC/DC
	Additional outputs
0	without
1	OC output, RS485, analogue outputs
2	OC output, RS485, analogue outputs, switched-over relay outputs
	Unit
XX	unit acc. to table 1
	Version
00	standard
XX	custom-made*
	Language
E	English
X	other*
	Certification
0	without additional quality inspection certificate
1	with additional quality inspection certificate
X	on request*

IA-N300

*Please contact manufacturer

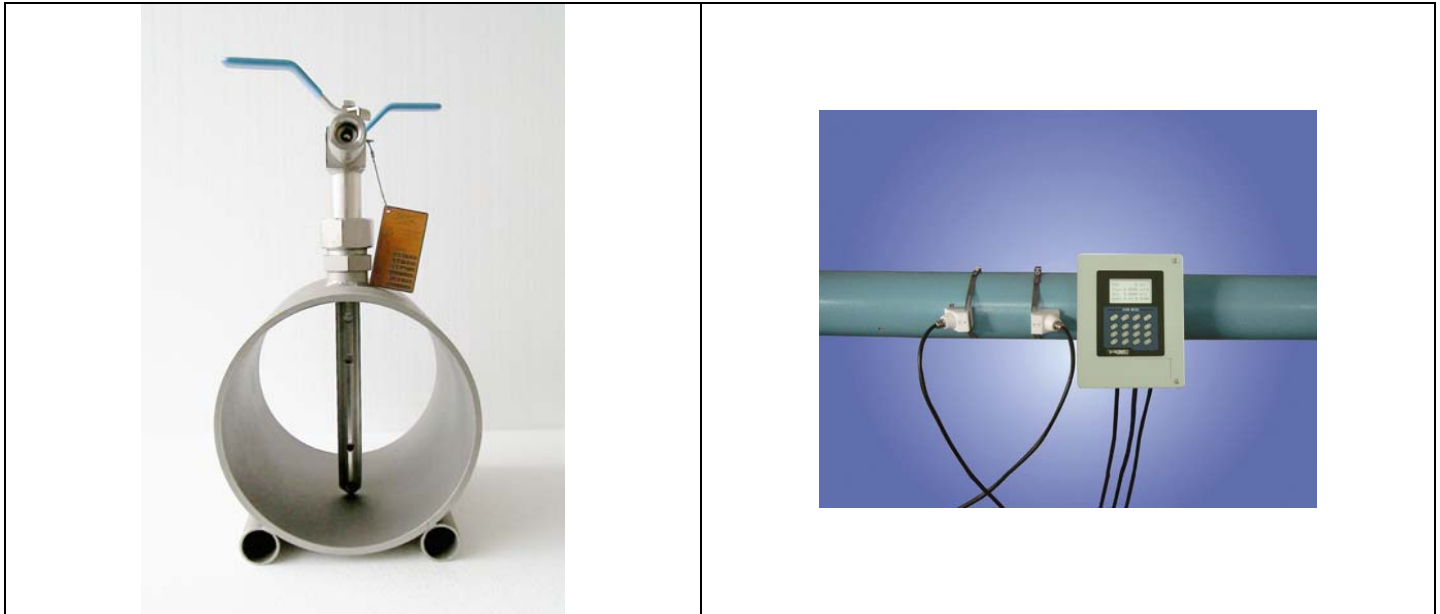
Table 1: Unit codes

Code	Unit	Code	Unit	Code	Unit
00	without	20	kVAh	41	St.
01	V	21	MVAh	41	imp
02	A	22	Hz	42	rps
03	mV	23	kHz	43	m/s
04	kV	24	Ω	44	l/s
05	mA	25	k Ω	45	obr/min
06	kA	26	$^{\circ}\text{C}$	46	rpm
07	W	27	$^{\circ}\text{F}$	47	mm/min
08	kW	28	K	48	m/min
09	MW	29	%	49	l/min
10	var	30	%RH	50	m ³ /min
11	kvar	31	pH	51	St./h
12	Mvar	32	kg	52	m/h
13	VA	33	bar	53	km/h
14	kVA	34	m	54	m ³ /h
15	MVA	35	l	55	kg/h
16	kWh	36	s	56	l/h
17	MWh	37	h	XX	on order*
18	kvarh	38	m ³		
19	Mvarh	39	obr		

*Please contact the manufacturer

Besides the products covered by this brochure, Intra-Automation GmbH also manufactures other high-quality and high precision instruments for industrial measurement tasks. For more information, please contact us (contact details on the backside of this brochure).

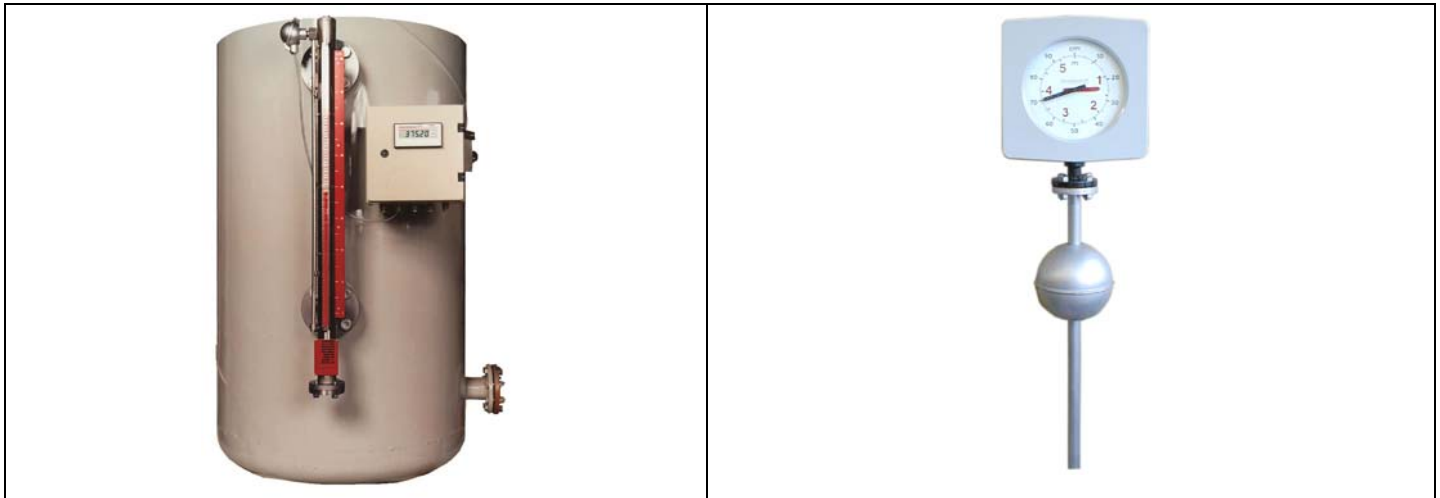
Flow measurement



Itabar®-Flow Sensor

IntraSonic IS210 Ultrasonic Flow Meter

Level measurement



ITA-mag. Level Gauge

MAGLINK Level Indicator

Other Measurement Tasks:



DigiFlow Flow and Level Computers

IntraCon Digital Controllers

IntraDigit Digital Indicators / Meters



INTRA-AUTOMATION

MESS- UND REGELINSTRUMENTE / MEASUREMENT AND CONTROL

IA



TÜVRheinland®
CERT
ISO 9001

International Headquarters:

Intra-Automation GmbH
Otto-Hahn-Str. 20
41515 Grevenbroich
GERMANY

☎ +49 – (0) 21 81 / 7 56 65-0

☎ +49 – (0) 21 81 / 6 44 92

✉ info@intra-automation.de

🌐 www.intra-automation.com

Sales Office for the BENELUX:

B.V. Intra-Automation HTP
PO Box 10
4730 AA Oudenbosch
THE NETHERLANDS

☎ +31 – (0)165 – 32 22 01

☎ +31 – (0)165 – 32 29 70

✉ info@intra-automation.nl